

EMC shield clamps for 35 mm top hat DIN rail, pluggable

with or without integrated strain relief



EMC shield clamps are used, where the shield of cables must be connected to the earth potential. They are easy to use and effective in earthing single cable shields.

When using types with integrated strain relief cables can be fixed via the cable jacket using cable ties. Thus strain relief in accordance with EN 62444 is achieved. We also offer EMC shield clamps with double strain relief function acc. to PROFINET installation guidelines.

Due to its special design the clamping ranges of the MSKL are very large while the dimensions are comparatively small. (Example: MSKL 3-12, assembled with a 12 mm cable shield: width 26.25 mm).

The staggered arrangement of the extremely slim shield clamp SFS|SKL maximises space utilisation. Suitable for applications that require EMC shielding close to connection points or controller inputs.

The shield clamps can be easily attached by snapping them onto 35 mm top hat DIN rails.

Specifications

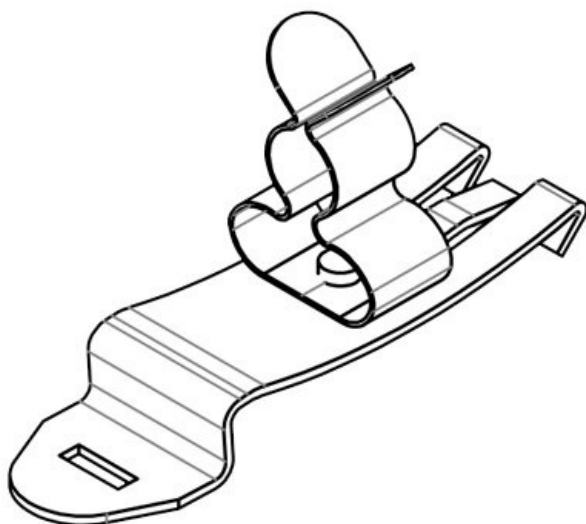
Material	Shield clamp: Spring steel, zinc plated Shield bracket: Mild steel, galvanically zinc plated Snap foot: Spring steel
Properties	vibration proof
Mounting options	Snap-in

Advantages & benefits

- Partially with integrated strain relief
- Large contact area
- Shield contact and strain relief separated
- Quick assembly without tools
- The spring design requires no adjustments and will permanently maintain contact to the cable shield
- Designed for high density applications
- Shock and vibration resistant, maintenance free
- Integrated double strain relief function acc. to PROFINET installation guidelines

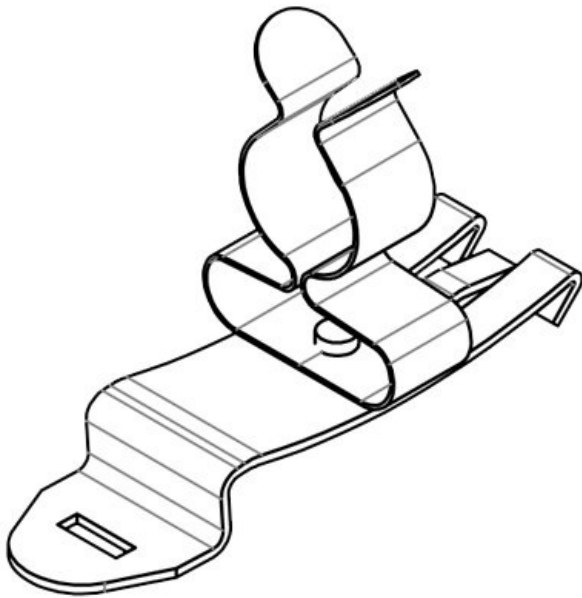
Product types & sizes

SF|MSKL 3-12



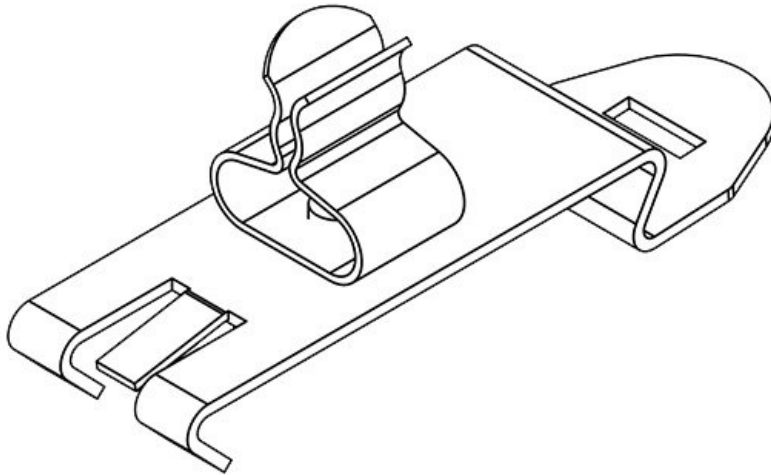
Part No.	37616	Length	50,3 mm
EAN	4251269316	Width	15 mm
	937	Height	26 mm
Package quantity	10		
No. of shield clamps	1		
For max. no. of cables	1		
Min. shield diam.	3 mm		
Max. shield diam.	12 mm		

SF|MSKL 8-18



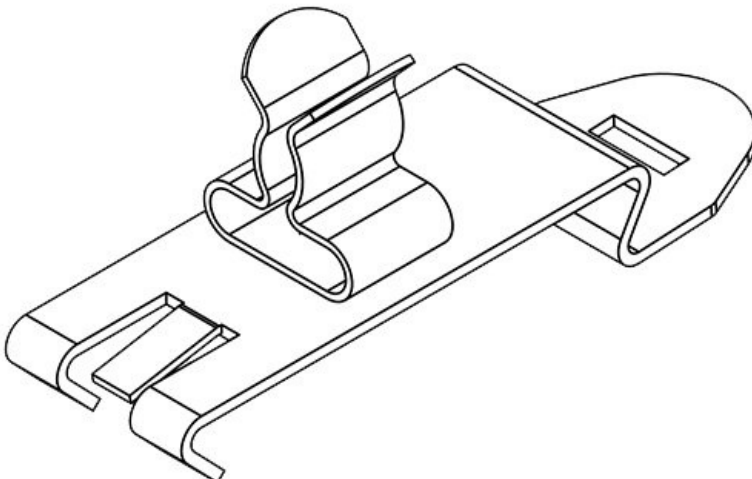
Part No.	37618	Length	50,3 mm
EAN	4251269316	Width	20 mm
	944	Height	32,2 mm
Package quantity	10		
No. of shield clamps	1		
For max. no. of cables	1		
Min. shield diam.	8 mm		
Max. shield diam.	18 mm		

SF|SKL 1.5-3



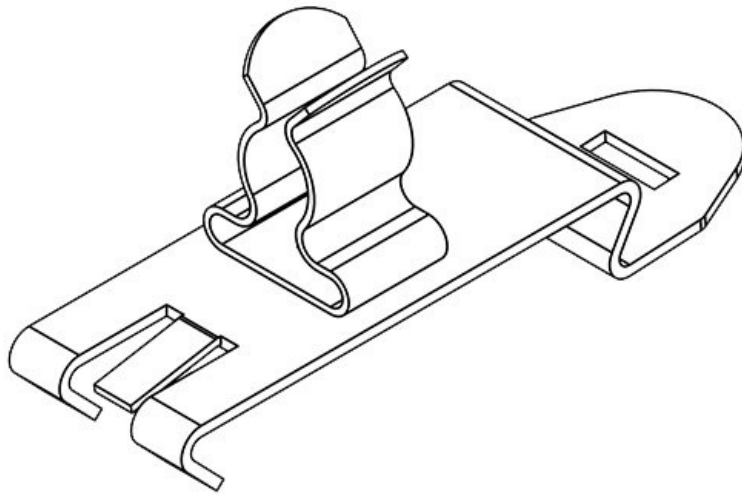
Part No.	36243	Length	50,4 mm
EAN	4251269302	Width	14 mm
	329	Height	20 mm
Package quantity	10		
No. of shield clamps	1		
For max. no. of cables	1		
Min. shield diam.	1,5 mm		
Max. shield diam.	3 mm		

SF|SKL 3-6



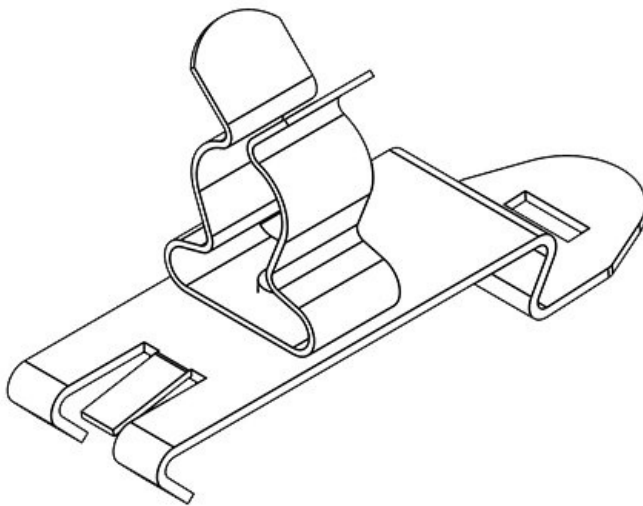
Part No.	36244	Length	50,4 mm
EAN	4251269302	Width	14 mm
	336	Height	20,5 mm
Package quantity	10		
No. of shield clamps	1		
For max. no. of cables	1		
Min. shield diam.	3 mm		
Max. shield diam.	6 mm		

SF|SKL 6-8



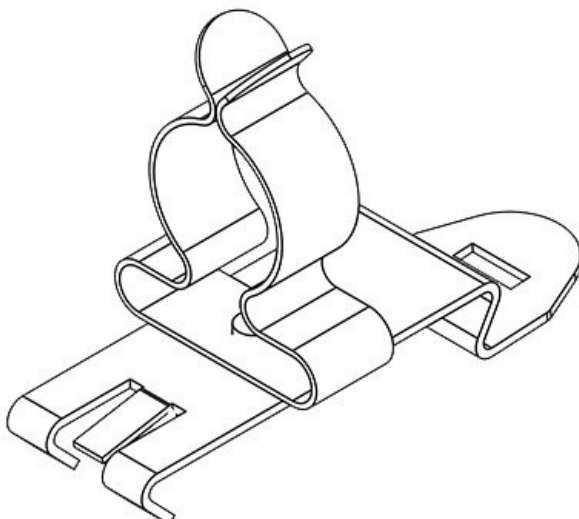
Part No.	36245	Length	50,4 mm
EAN	4251269302	Width	14 mm
	343	Height	21,9 mm
Package quantity	10		
No. of shield clamps	1		
For max. no. of cables	1		
Min. shield diam.	6 mm		
Max. shield diam.	8 mm		

SF|SKL 8-11



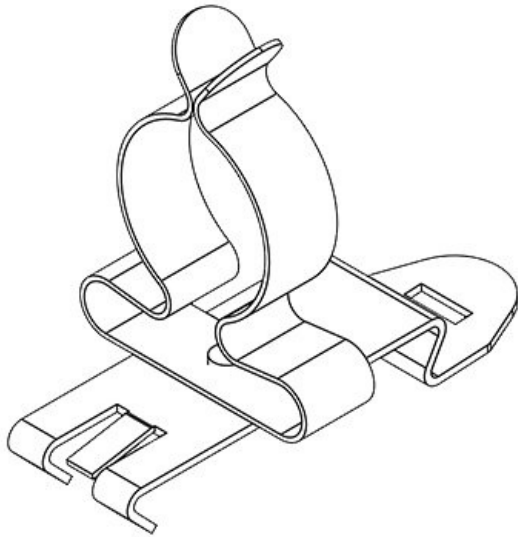
Part No.	36246	Length	50,4 mm
EAN	4251269302	Width	14 mm
	350	Height	26,9 mm
Package quantity	10		
No. of shield clamps	1		
For max. no. of cables	1		
Min. shield diam.	8 mm		
Max. shield diam.	11 mm		

SF|SKL 11-17



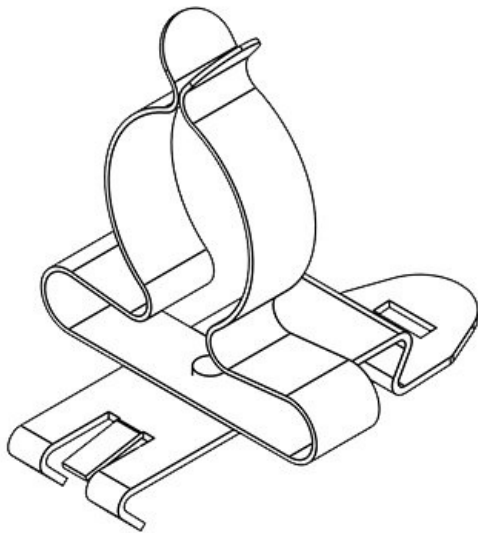
Part No.	36247	Length	50,4 mm
EAN	4251269302	Width	21 mm
	367	Height	33,9 mm
Package quantity	10		
No. of shield clamps	1		
For max. no. of cables	1		
Min. shield diam.	11 mm		
Max. shield diam.	17 mm		

SF|SKL 17-22



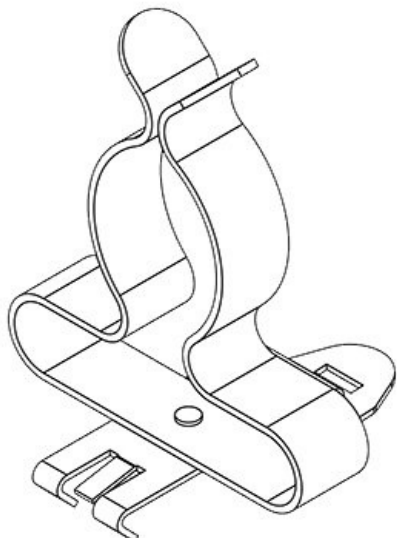
Part No.	36248	Length	50,4 mm
EAN	4251269302	Width	26,5 mm
	374	Height	41,4 mm
Package quantity	10		
No. of shield clamps	1		
For max. no. of cables	1		
Min. shield diam.	17 mm		
Max. shield diam.	22 mm		

SF|SKL 22-30



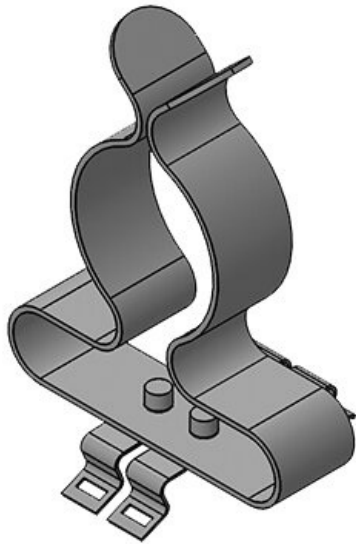
Part No.	36249	Length	50,4 mm
EAN	4251269302	Width	34,5 mm
	381	Height	45,8 mm
Package quantity	10		
No. of shield clamps	1		
For max. no. of cables	1		
Min. shield diam.	22 mm		
Max. shield diam.	30 mm		

SF|SKL 30-38



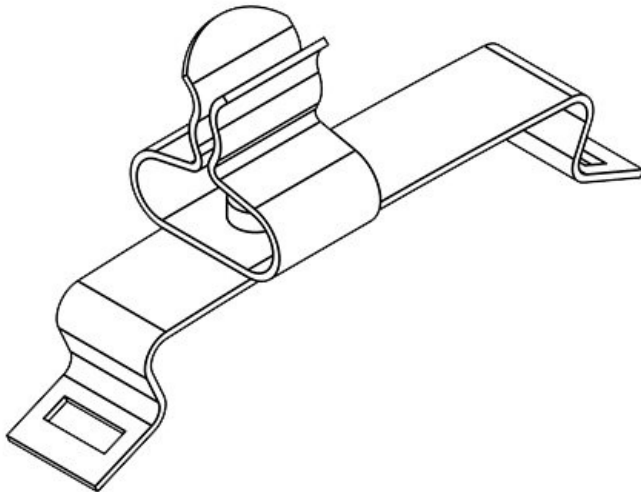
Part No.	36250	Length	50,4 mm
EAN	4251269302	Width	46,5 mm
	398	Height	68 mm
Package quantity	10		
No. of shield clamps	1		
For max. no. of cables	1		
Min. shield diam.	30 mm		
Max. shield diam.	38 mm		

SF|SKL 38-48



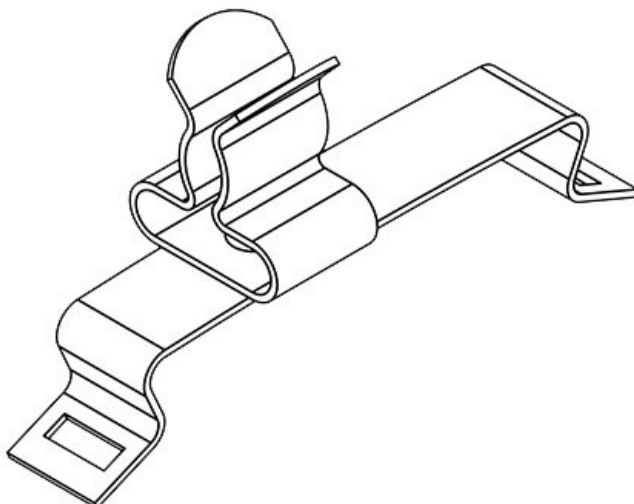
Part No.	36252	Length	44 mm
EAN	4251269302	Width	48,5 mm
	411	Height	77,5 mm
Package quantity	10		
No. of shield clamps	1		
For max. no. of cables	1		
Min. shield diam.	38 mm		
Max. shield diam.	48 mm		

SFS|SKL 1.5-3



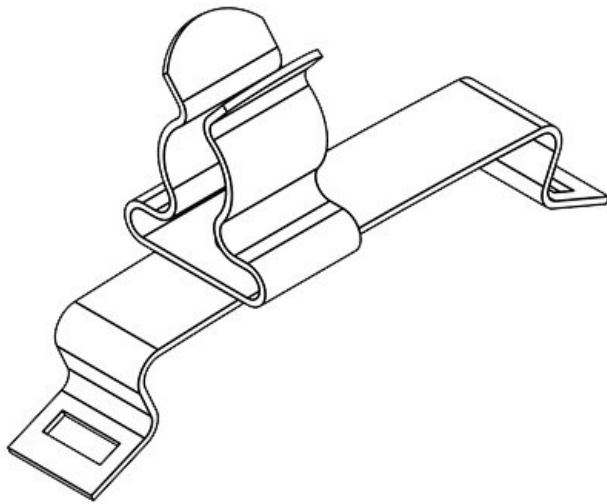
Part No.	36810	Length	43,4 mm
EAN	4251269304	Width	11,8 mm
	873	Height	21,5 mm
Package quantity	10		
No. of shield clamps	1		
For max. no. of cables	1		
Min. shield diam.	1,5 mm		
Max. shield diam.	3 mm		

SFS|SKL 3-6



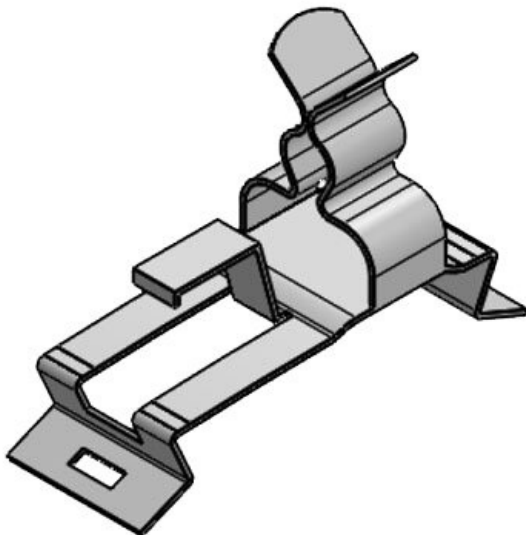
Part No.	36815	Length	43,4 mm
EAN	4251269304	Width	11,8 mm
	880	Height	22,2 mm
Package quantity	10		
No. of shield clamps	1		
For max. no. of cables	1		
Min. shield diam.	3 mm		
Max. shield diam.	6 mm		

SFS|SKL 6-8



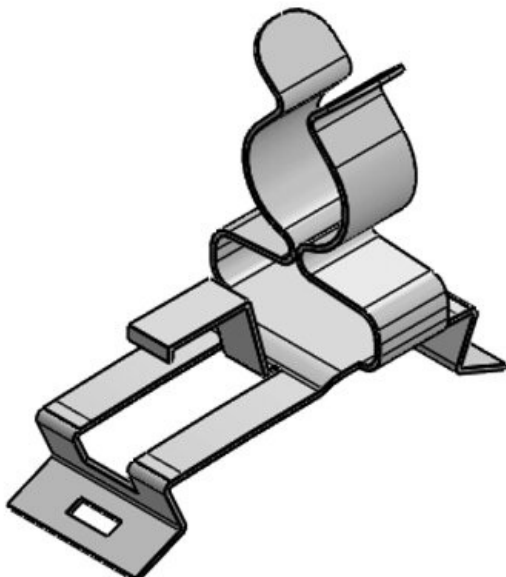
Part No.	36820	Length	43,4 mm
EAN	4251269304	Width	11,8 mm
	897	Height	23,6 mm
Package quantity	10		
No. of shield clamps	1		
For max. no. of cables	1		
Min. shield diam.	6 mm		
Max. shield diam.	8 mm		

SFZ-M|MSKL 3-12



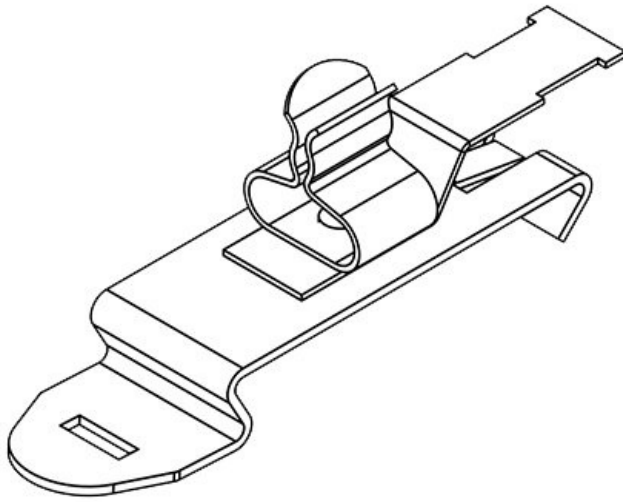
Part No.	37620	Max. shield diam.	12 mm
EAN	4251269316	Length	43,4 mm
	951	Width	15 mm
Package quantity	10	Height	29,3 mm
No. of shield clamps	1	Mounting height	20 mm
Strain relief (acc. to EN 62444)	1		
For max. no. of cables	1		
Min. shield diam.	3 mm		

SFZ-M|MSKL 8-18



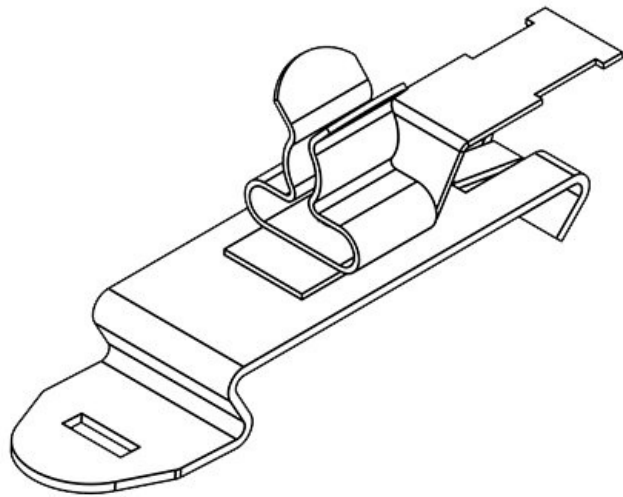
Part No.	37622	Max. shield diam.	18 mm
EAN	4251269316	Length	61,4 mm
	968	Width	20 mm
Package quantity	10	Height	32,7 mm
No. of shield clamps	1		
Strain relief (acc. to EN 62444)	1		
For max. no. of cables	1		
Min. shield diam.	8 mm		

SFZ|SKL 1.5-3



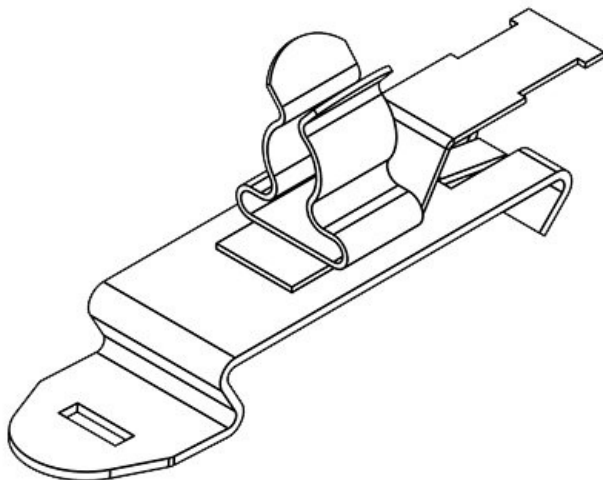
Part No.	36850	Max. shield diam.	3 mm
EAN	4251269304	Length	56,9 mm
Package quantity	10	Width	14 mm
No. of shield clamps	1	Height	20,3 mm
Strain relief (acc. to EN 62444)	1		
For max. no. of cables	1		
Min. shield diam.	1,5 mm		

SFZ|SKL 3-6



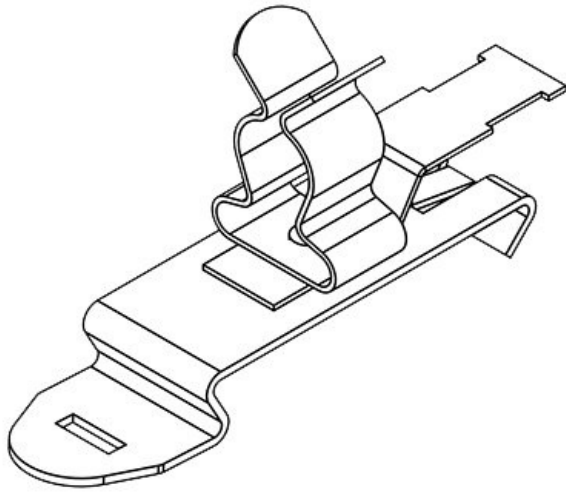
Part No.	36855	Max. shield diam.	6 mm
EAN	4251269304	Length	56,9 mm
Package quantity	10	Width	14 mm
No. of shield clamps	1	Height	21 mm
Strain relief (acc. to EN 62444)	1		
For max. no. of cables	1		
Min. shield diam.	3 mm		

SFZ|SKL 6-8



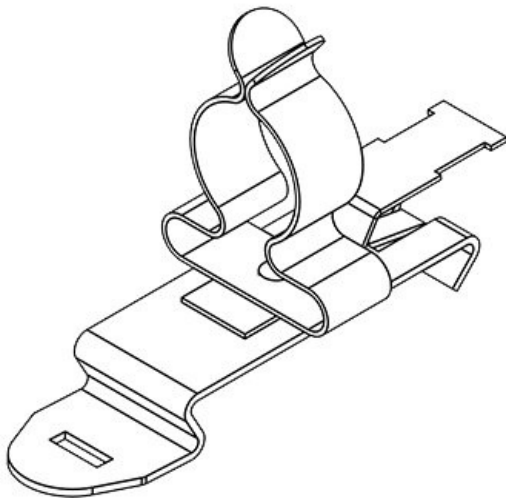
Part No.	36860	Max. shield diam.	8 mm
EAN	4251269304	Length	56,9 mm
Package quantity	10	Width	14 mm
No. of shield clamps	1	Height	22,4 mm
Strain relief (acc. to EN 62444)	1		
For max. no. of cables	1		
Min. shield diam.	6 mm		

SFZ|SKL 8-11



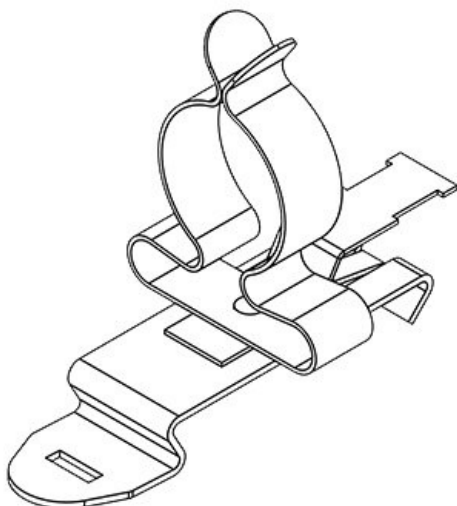
Part No.	36865	Max. shield diam.	11 mm
EAN	4251269304	Length	56,9 mm
Package quantity	10	Width	14 mm
No. of shield clamps	1	Height	27,4 mm
Strain relief (acc. to EN 62444)	1		
For max. no. of cables	1		
Min. shield diam.	8 mm		

SFZ|SKL 11-17



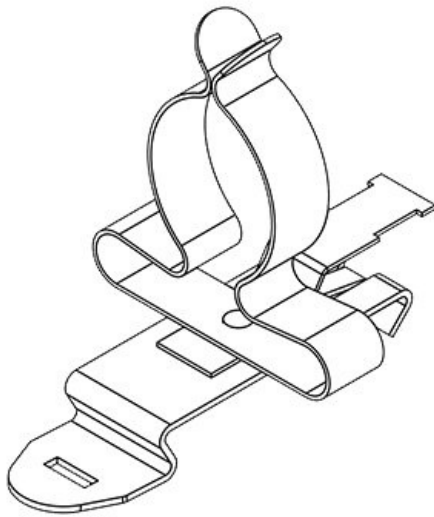
Part No.	36870	Max. shield diam.	17 mm
EAN	4251269304	Length	71,8 mm
Package quantity	10	Width	21 mm
No. of shield clamps	1	Height	34,4 mm
Strain relief (acc. to EN 62444)	1		
For max. no. of cables	1		
Min. shield diam.	11 mm		

SFZ|SKL 17-22



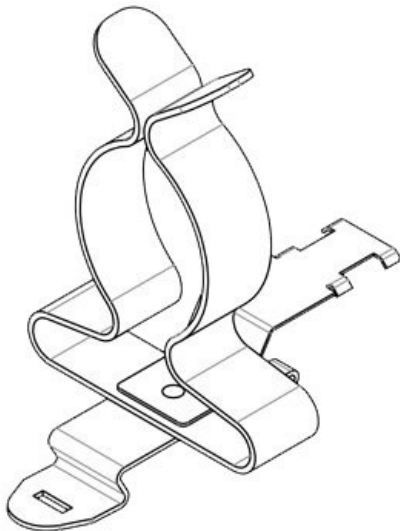
Part No.	36875	Max. shield diam.	22 mm
EAN	4251269304	Length	71,8 mm
Package quantity	10	Width	26,5 mm
No. of shield clamps	1	Height	41,9 mm
Strain relief (acc. to EN 62444)	1		
For max. no. of cables	1		
Min. shield diam.	17 mm		

SFZ|SKL 22-30



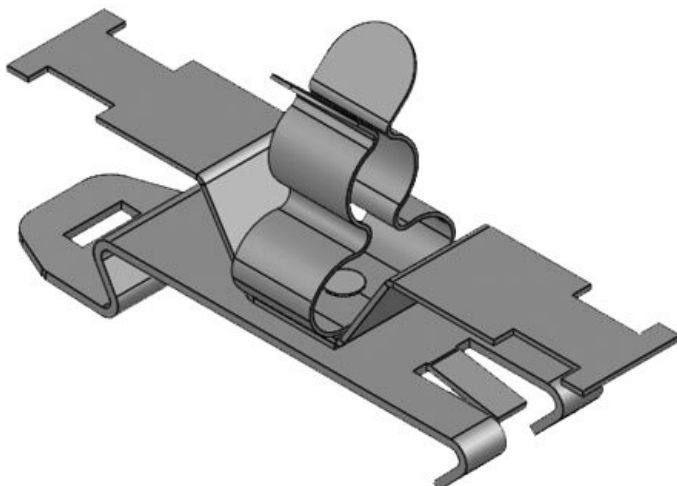
Part No.	36880	Max. shield diam.	30 mm
EAN	4251269304	Length	71,8 mm
Package quantity	10	Width	35 mm
No. of shield clamps	1	Height	46 mm
Strain relief (acc. to EN 62444)	1		
For max. no. of cables	1		
Min. shield diam.	22 mm		

SFZ|SKL 30-38



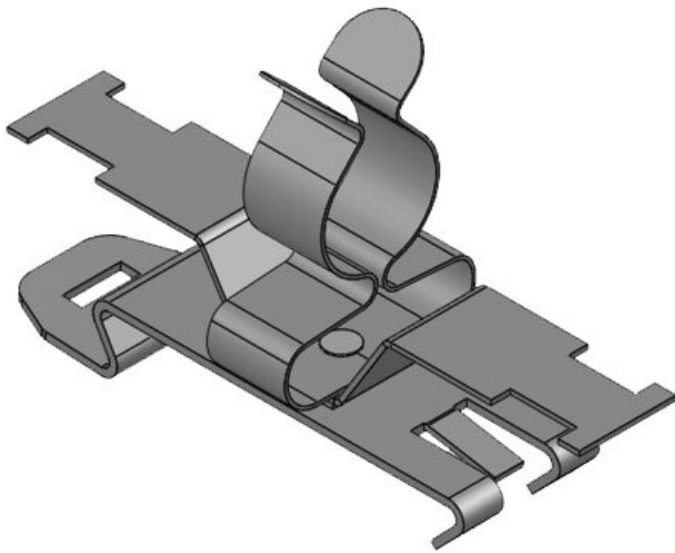
Part No.	36885	Max. shield diam.	38 mm
EAN	4251269319	Length	71,8 mm
Package quantity	10	Width	46,5 mm
No. of shield clamps	1	Height	68 mm
Strain relief (acc. to EN 62444)	1		
For max. no. of cables	1		
Min. shield diam.	30 mm		

SF2Z-M|MSKL 3-12



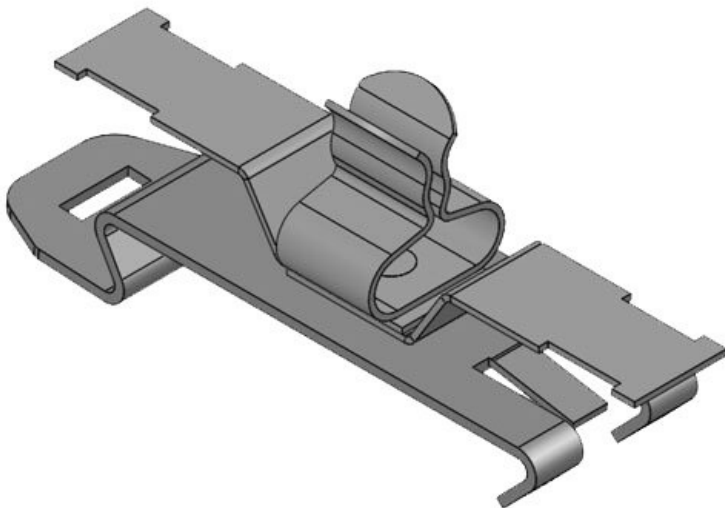
Part No.	37620.150	Min. shield diam.	3 mm
EAN	4251269321	Max. shield diam.	12 mm
Package quantity	10	Width	14,9 mm
Length	59 mm	Height	28,4 mm
Strain relief (acc. to EN 62444)	1	Mounting height	21,5 mm
No. of shield clamps	1		
For max. no. of cables	1		

SF2Z-M|MSKL 8-18



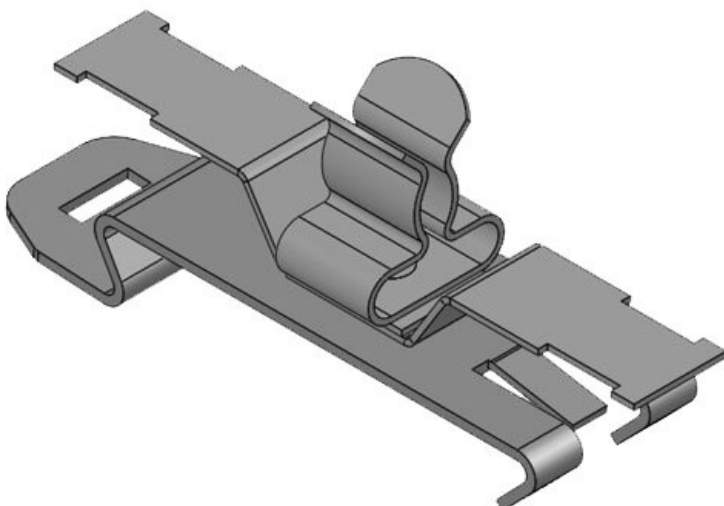
Part No.	37622.150	Min. shield diam.	8 mm
EAN	4251269321	Max. shield diam.	18 mm
Package quantity	10	Width	19,7 mm
Length	59 mm	Height	34,7 mm
Strain relief (acc. to EN 62444)	1	Mounting height	27,7 mm
No. of shield clamps	1		
For max. no. of cables	1		

SF2Z|SKL 1.5-3



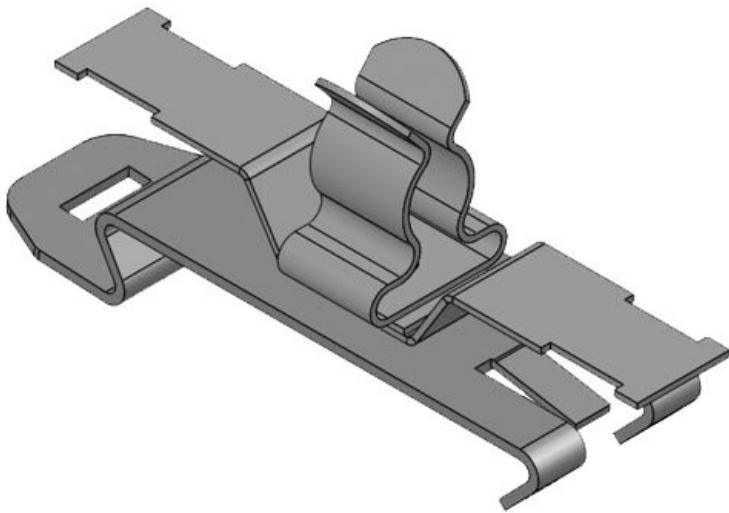
Part No.	36850.150	Max. shield diam.	3 mm
EAN	4251269321	Length	54,5 mm
Package quantity	10	Width	14 mm
No. of shield clamps	1	Height	20,8 mm
Strain relief (acc. to EN 62444)	1	Mounting height	13,9 mm
For max. no. of cables	1		
Min. shield diam.	1,5 mm		

SF2Z|SKL 3-6



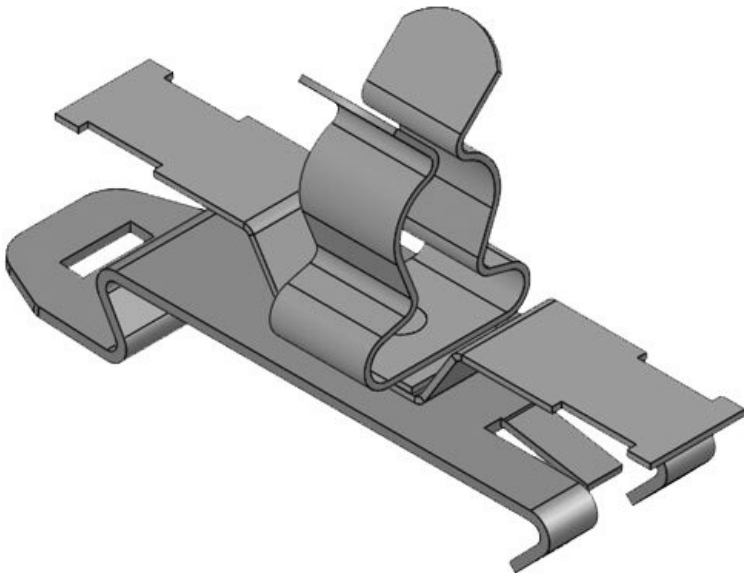
Part No.	36855.150	Max. shield diam.	6 mm
EAN	4251269321	Length	54,5 mm
Package quantity	10	Width	14 mm
No. of shield clamps	1	Height	21,4 mm
Strain relief (acc. to EN 62444)	1	Mounting height	14,5 mm
For max. no. of cables	1		
Min. shield diam.	3 mm		

SF2Z|SKL 6-8



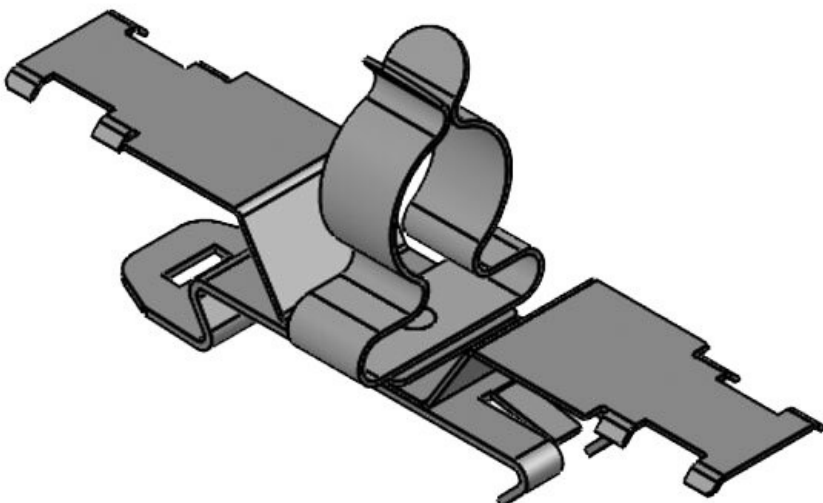
Part No.	36860.150	Max. shield diam.	8 mm
EAN	4251269321	Length	54,5 mm
Package quantity	184	Width	14 mm
No. of shield clamps	1	Height	22,9 mm
Strain relief (acc. to EN 62444)	1	Mounting height	16 mm
For max. no. of cables	1		
Min. shield diam.	6 mm		

SF2Z|SKL 8-11



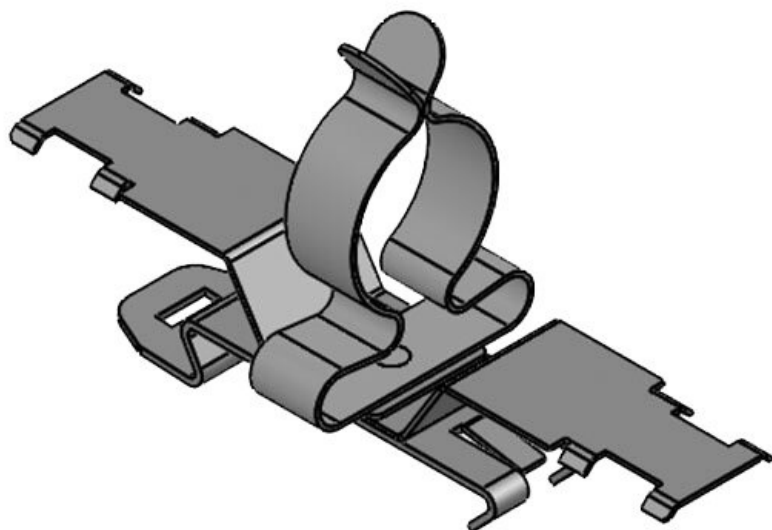
Part No.	36865.150	Max. shield diam.	11 mm
EAN	4251269321	Length	54,5 mm
Package quantity	10	Width	14 mm
No. of shield clamps	1	Height	27,9 mm
Strain relief (acc. to EN 62444)	1	Mounting height	21 mm
For max. no. of cables	1		
Min. shield diam.	8 mm		

SF2Z|SKL 11-17



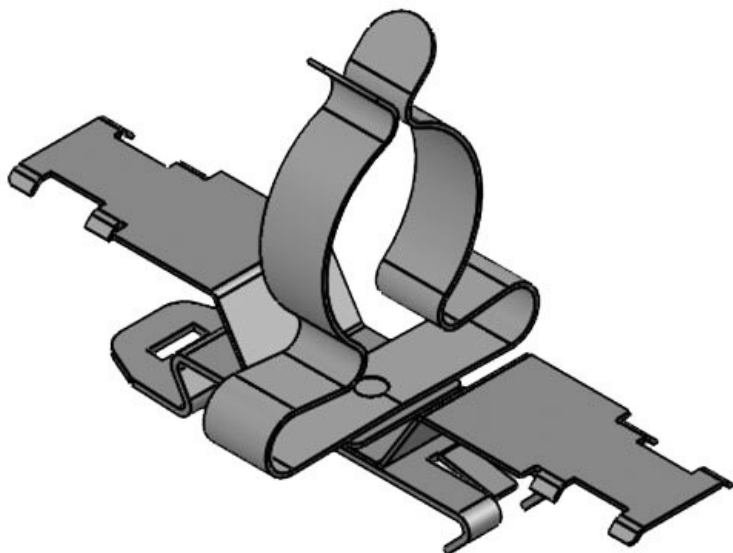
Part No.	36870.150	Max. shield diam.	17 mm
EAN	4251269321	Length	80 mm
Package quantity	10	Width	21 mm
No. of shield clamps	1	Height	34,9 mm
Strain relief (acc. to EN 62444)	1	Mounting height	28 mm
For max. no. of cables	1		
Min. shield diam.	11 mm		

SF2Z|SKL 17-22



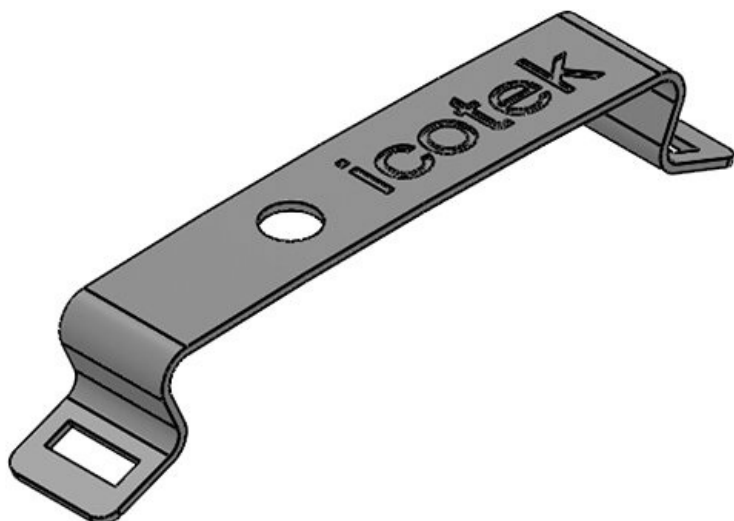
Part No.	36875.150	Max. shield diam.	22 mm
EAN	4251269321	Length	80 mm
Package quantity	214	Width	26,5 mm
No. of shield clamps	1	Height	42,4 mm
Strain relief (acc. to EN 62444)	1	Mounting height	35,5 mm
For max. no. of cables	1		
Min. shield diam.	17 mm		

SF2Z|SKL 22-30



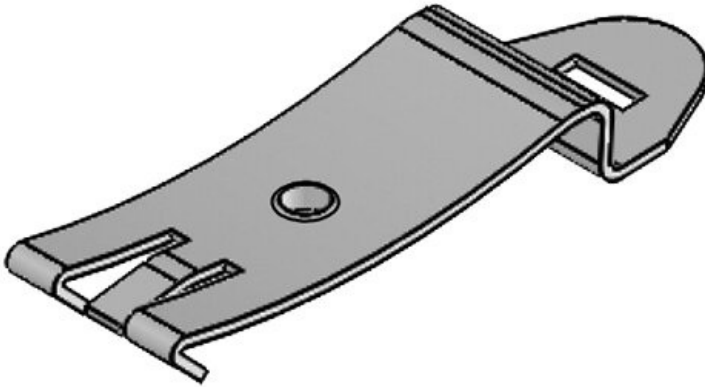
Part No.	36880.150	Max. shield diam.	30 mm
EAN	4251269321	Length	80 mm
Package quantity	10	Width	35 mm
No. of shield clamps	1	Height	47 mm
Strain relief (acc. to EN 62444)	1	Mounting height	40,1 mm
For max. no. of cables	1		
Min. shield diam.	22 mm		

SFS single M3



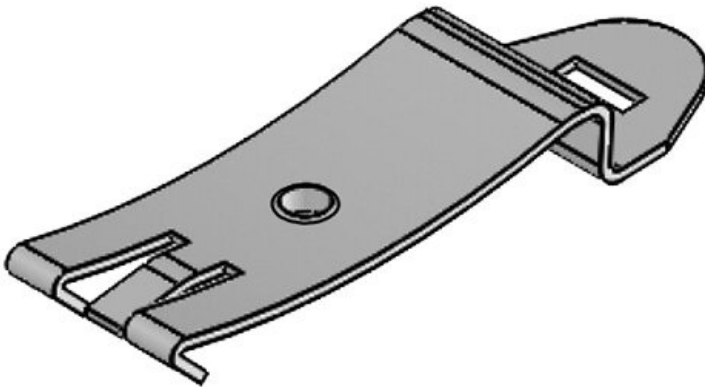
Part No.	36229	Diam. of screw holes	3,2 mm
EAN	4251269302		
Package quantity	237		
Length	10		
Width	43,4 mm		
Height	7 mm		
No. of screw holes	8,5 mm		
	1		

MF single M4



Part No. **36230** Diam. of screw **4,1 mm**
EAN **4251269302** holes
244 Thread **M4**
Package quantity **10**
Length **50,3 mm**
Width **14 mm**
Height **6,8 mm**
No. of screw holes **1**

MF single M5



Part No. **36221** Diam. of screw **5,1 mm**
EAN **4251269319** holes
167 Thread **M5**
Package quantity **10**
Length **50,3 mm**
Width **14 mm**
Height **6,8 mm**
No. of screw holes **1**